

INTERNATIONAL STANDARD

ISO/IEC 14165-241

First edition
2005-05

Information technology – Fibre channel –

Part 241: Backbone 2 (FC-BB-2)

© ISO/IEC 2005

All rights reserved. Unless otherwise specified, no part of this publication may be reproduced or utilized in any form or by any means, electronic or mechanical, including photocopying and microfilm, without permission in writing from the publisher.

ISO/IEC Copyright Office • Case postale 56 • CH-1211 Genève 20 • Switzerland



PRICE CODE **XA**

For price, see current catalogue

Contents

FOREWORD	10
INTRODUCTION	11
1 Scope	13
2 Normative references	13
2.1 Approved references	13
2.2 Other references	13
3 Definitions and Conventions	14
3.1 Common Definitions	14
3.2 FC-BB-2_ATM Definitions	15
3.3 FC-BB-2_SONET Definitions	17
3.4 FCIP and TCP/IP Definitions	18
3.5 Symbols and abbreviations	20
3.5.1 General	20
3.5.2 FC-BB-2_ATM	20
3.5.3 FC-BB-2_SONET	21
3.5.4 FC-BB-2_IP	21
3.6 Keywords	21
3.6.1 expected	21
3.6.2 invalid	21
3.6.3 mandatory	22
3.6.4 may	22
3.6.5 may not	22
3.6.6 obsolete	22
3.6.7 optional	22
3.6.8 reserved	22
3.6.9 shall	22
3.6.10 should	22
3.7 Conventions	22
3.8 Notations for Procedure and Functions	23
4 FC-BB-2 Structure and Concepts	24
4.1 FC-BB-2 Backbone Mappings	24
4.2 FC-BB-2 Reference Models	24
4.3 FC-BB-2 Specifications Overview	25
4.3.1 FC-BB-2_ATM	25
4.3.2 FC-BB-2_SONET	26
4.3.3 FC-BB-2_IP	26
4.4 FC-BB-2 Requirements	26
4.4.1 Fibre Channel Class support	26
4.4.2 Payload transparency	27
4.4.3 Latency delay and timeout value	27
4.4.4 QoS and bandwidth	27
4.4.5 In-order delivery	27
4.4.6 Flow control	27
4.5 FC-BB-2 Link Service Codes	28
5 FC-BB-2_ATM and FC-BB-2_SONET messages and formats	29
5.1 Applicability	29

5.2	Message Formats	29
5.2.1	LLC/SNAP Header format	29
5.2.2	BBW_Header format	30
5.2.3	BBW message payload format for SFC	31
5.2.4	BBW message payload format for SR	31
5.2.4.1	SR_Header Formats	31
5.2.4.2	SR_BBW messages	33
5.2.4.3	Format Field Parameters	34
5.2.4.4	SR Commands and Responses	34
5.2.4.5	Exception condition reporting and recovery	37
6	The SR and SFC Protocol Procedures	41
6.1	Applicability	41
6.2	SR Protocol Overview	41
6.3	Description of the SR procedure	42
6.3.1	SR mode of operation	42
6.3.2	SR procedure for addressing	42
6.3.3	SR procedure for the use of the P/F bit	42
6.3.4	SR procedure for data link set-up and disconnection	42
6.3.4.1	Data link set-up	42
6.3.4.2	Information transfer phase	43
6.3.4.3	Data link disconnection	43
6.3.4.4	Disconnected Phase	44
6.3.4.5	Collision of unnumbered commands	44
6.3.4.6	Collision of SR_DM response with SR_SM or SR_DISC command	45
6.3.4.7	Collision of SR_DM responses	45
6.3.5	Procedures for information transfer using multi-selective reject	45
6.3.5.1	Procedures for SR_I messages	45
6.3.5.2	Sending new SR_I messages	45
6.3.5.3	Receiving an in-sequence SR_I message	45
6.3.5.4	Reception of invalid messages	46
6.3.5.5	Reception of out-of-sequence SR_I messages	46
6.3.5.6	Receiving acknowledgement	47
6.3.5.7	Receiving a SR_SREJ response message	47
6.3.5.8	Receiving a SR_RNR message	48
6.3.5.9	BBW busy condition	48
6.3.5.10	Awaiting acknowledgement	49
6.3.5.11	Receiving a SR_RR response messages with the F bit set to 1	49
6.3.5.12	Responding to command messages with the P bit set to 1	50
6.3.6	SR conditions for data link resetting or data link re-initialization (data link set-up)	50
6.3.6.1	Condition 1	50
6.3.6.2	Condition 2	50
6.3.6.3	Condition 3	50
6.3.6.4	Condition 4	50
6.3.7	SR procedure for data link resetting	50
6.3.7.1	Procedure 1	50
6.3.7.2	Procedure 2	51
6.3.7.3	Procedure 3	51
6.3.8	List of SR system parameters	52
6.3.8.1	Timer T1	52
6.3.8.2	Parameter T2	52
6.3.8.3	Maximum number of attempts to complete a transmission N2	52
6.3.8.4	Maximum number of outstanding SR_I messages k	52

6.4	Simple Flow Control (SFC)	53
7	FC-BB-2_ATM Structure and Concepts	54
7.1	Applicability	54
7.2	FC-BB-2_ATM Overview	54
7.3	FC-BB-2_ATM Functional Model	55
7.3.1	B_Port Network Interface	55
7.3.2	ATM Network Interface	55
7.3.3	Mapping and Encapsulation	55
7.3.4	FC-BB-2_ATM Forwarding	56
7.3.5	Call Handling and ATM Service	56
7.3.6	Frame Handling	57
8	Mapping and Message Encapsulation using AAL5	58
8.1	Applicability	58
8.2	Overview	58
8.3	Mapping BBW messages to AAL5	58
9	FC-BB-2_ATM Service Considerations	61
9.1	Applicability	61
9.2	ATM Service Type	61
9.3	Latency Delay and Timeout Value	61
9.4	Bandwidth Sharing and Allocation	61
9.5	Quality of Service (QoS)	62
9.6	Delivery Order	62
9.7	Loss and Flow Control	63
10	FC-BB-2_SONET Structure and Concepts	64
10.1	Applicability and Related Clauses	64
10.2	FC-BB-2_SONET Overview	64
10.3	FC-BB-2_SONET Functional Model	65
10.3.1	Fibre Channel Network Interface	65
10.3.2	SONET Network Interface	66
10.3.3	Mapping and Encapsulation	67
10.3.4	FC-BB-2_SONET Forwarding	67
10.3.5	Call Handling	67
10.3.6	Frame Handling	67
11	Mapping and Message Encapsulation using HDLC-like Framing	68
11.1	Applicability	68
11.2	Overview	68
11.3	Mapping of BBW messages to HDLC format	68
11.4	Mapping HDLC frames to SONET/SDH	70
12	FC-BB-2_SONET Service Considerations	74
12.1	Applicability	74
12.2	Latency Delay and Timeout Value	74
12.3	Delivery Order	74
12.4	Loss and Flow Control	74
13	FC-BB-2_IP Structure and Concepts	75
13.1	Applicability and Related Clauses	75
13.2	FC-BB-2_IP Overview	75
13.3	VE_Port Functional Model	76

13.3.1	FC-BB-2_IP Interface Protocol Layers	76
13.3.2	E_Port/F_Port FC Interface	76
13.3.3	FC-BB-2_IP Protocol Interface	76
13.3.3.1	Major Components	76
13.3.3.2	FC Switching Element (SE) with FC Routing	77
13.3.3.3	FC and FCIP Entities	78
13.3.3.4	VE_Port Virtual ISL Exchanges	80
13.3.3.5	Control and Service Module (CSM)	81
13.3.3.6	Platform Management Module (PMM)	82
13.3.4	IP Network Interface	84
13.4	The B_Access Functional Model	84
13.4.1	FC-BB-2_IP Interface Protocol Layers	84
13.4.2	B_Port FC Interface	84
13.4.3	FC-BB-2_IP Protocol Interface	85
13.4.3.1	Major Components	85
13.4.3.2	FC and FCIP Entities	85
13.4.3.3	B_Access Virtual ISL Exchanges	87
13.4.3.4	B_Port Control and Service Module (CSM)	90
13.4.3.5	B_Port Platform Management Module (PMM)	90
13.4.4	IP Network Interface	90
13.5	FC-BB-2_IP Network Topologies	91
14	Mapping and Message Encapsulation using TCP/IP	93
14.1	Applicability	93
14.2	Encapsulated Frame Structures	93
14.2.1	FC frame Encapsulation Structure	93
14.2.2	Encapsulated FCIP Special Frame (FSF) structure	94
14.3	TCP/IP Encapsulation	95
15	The FC-BB-2_IP Protocol Procedures	96
15.1	Applicability	96
15.2	FC-BB-2_IP Protocol Procedures	96
15.3	Procedures for Platform Management	96
15.3.1	Function	96
15.3.2	Procedures for Discovery	96
15.3.3	Procedures for Extending FC-SP Security	96
15.3.3.1	Authentication Mechanisms	96
15.3.3.2	Authenticate Special Frame (ASF)	97
15.4	Procedures for Connection Management	98
15.4.1	Function	98
15.4.2	Procedures for Link Setup	98
15.4.3	Procedures for Data Transfer	99
15.4.4	Procedures for FCIP Link Disconnection	99
15.4.5	Procedures for Multiple Connection Management	99
15.5	Procedures for Error Detection Recovery	100
15.5.1	Procedures for Handling Invalid FC frames	100
15.5.2	Procedures for Error Recovery	100
15.6	List of FC-BB-2_IP System Parameters	101
15.6.1	FC Timers	101
15.6.2	TCP Timers	101
15.6.3	Maximum number of attempts to complete an Encapsulated FC Frame transmission	101
15.6.4	Maximum number of outstanding Encapsulated FC Frames	101

16 FC-BB-2_IP Service Considerations	102
16.1 Applicability	102
16.2 Latency Delay	102
16.3 Throughput	102
16.3.1 How Timeouts affect Throughput	102
16.3.2 How loss affects Throughput	102
16.3.3 Other factors that affect Throughput	102
16.4 Reliability	103
16.4.1 Loss of Connectivity	103
16.4.2 Loss of Synchronization	103
16.4.3 Loss or Corruption of TCP Segments	103
16.4.4 Loss or Corruption of FC frames	103
16.4.5 FCIP Error Reporting	103
16.5 Quality of Service (QoS)	104
16.6 Delivery Order	104
16.7 IP Multicast and Broadcast	104
16.8 Security and Authentication	104
Annex A (normative) Encoded SOF and EOF Ordered Sets	105
A.1 Ordered Sets	105
A.2 SOF and EOF OS-Codes	105
A.3 FC-BB-2 SOF OS codes	106
A.4 FC-BB-2 EOF OS codes	106
Annex B (informative) ATM Traffic Management and Signaling	108
B.1 ATM Traffic Management	108
B.2 ATM QoS Parameters	108
B.3 ATM Traffic Parameters	111
B.4 ATM Service Categories	112
B.5 ATM Adaptation Layer (AAL) Types	114
B.6 ATM Multiplexing	114
B.7 Summary of ATM Services and Guarantees	115
B.8 ATM Signaling UNI Standard	115
Annex C (informative) SR Protocol Parameter Guidelines and State Diagram	118
C.1 Assumptions	118
C.2 Calculated Ack Delay (T2) Timer variable	118
C.3 Calculated Window size	118
C.4 Calculated Ack (T1) Timer variable	118
C.5 SR Protocol State Diagram	119
Bibliography	121

Figure

Figure 1 – Scope and components of FC-BB-2 specification	11
Figure 2 – FC-BB-2_ATM Reference Model	24
Figure 3 – FC-BB-2_SONET Reference Model	25
Figure 4 – FC-BB-2_IP Reference Model.	25
Figure 5 – SR Flow Control Protocol Between two BBWs	41
Figure 6 – FC-BB-2_ATM Network Configuration	54
Figure 7 – FC-BB-2_ATM Functional Block Diagram.	56
Figure 8 – AAL5 Mapping of a BBW message with SFC	59
Figure 9 – AAL5 Mapping of a BBW message with SR.	60
Figure 10 – Recommended ATM Bandwidth Allocation for multiple VCs	61
Figure 11 – FC-BB-2_SONET Network Configuration	64
Figure 12 – FC-BB-2_SONET Functional Block Diagram.	66
Figure 13 – SONET SPE HDLC Mapping Example.	71
Figure 14 – Path Signal label: C2	71
Figure 15 – Encapsulation of BBW message into HDLC frame using SFC.	72
Figure 16 – Encapsulation of BBW message into HDLC frame using SR.	73
Figure 17 – FC-BB-2_IP Network Configuration.	75
Figure 18 – FC-BB-2_IP VE_Port Functional Model.	77
Figure 19 – FC-BB-2_IP Protocol Layers.	78
Figure 20 – Scope of VE_Port Virtual ISL	80
Figure 21 – Security Layers.	83
Figure 22 – FC-BB-2_IP B_Access Functional Model.	86
Figure 23 – Scope of B_Access Virtual ISL	87
Figure 24 – B_Access Initialization State Machine.	90
Figure 25 – FC-BB-2_IP Network Topologies	92
Figure 26 – TCP/IP Encapsulation of an Encapsulated FC Frame	95
Figure B.1 – Cell Transfer Delay Distribution	110
Figure B.2 – SVC Signaling at the UNI and Switched payload.	117
Figure C.1 – SR Protocol State Diagram.	119

Table

Table 1 – FC-BB-2 Organization	12
Table 2 – ISO and International Conventions	23
Table 3 – Specification and FC Port Types Supported	24
Table 4 – FC-BB-2 SW_ILS Codes	28
Table 5 – FC-BB-2 ELS Codes	28
Table 6 – BBW message structure	29
Table 7 – LLC/SNAP Header	29
Table 8 – SNAP PID	30
Table 9 – BBW_Header	30
Table 10 – Flow Control Protocol Type Encodings	30
Table 11 – BBW message payload structure for SFC	31
Table 12 – BBW message payload structure for SR	31
Table 13 – SR_Header format	32
Table 14 – SS bits encoding	32
Table 15 – MMMMM bit encoding	32
Table 16 – SR_BBW messages	33
Table 17 – SR_I message format	35
Table 18 – SR_SREJ payload format	36
Table 19 – SR_FRMR payload format	38
Table 20 – Mapping of BBW messages to AAL5 CPCS	58
Table 21 – ATM VBR-NRT Service Specification	62
Table 22 – SONET/SDH Data Rates	66
Table 23 – Mapping of BBW messages to HDLC format	69
Table 24 – FC-BB-2_SONET Protocol Stack	71
Table 25 – LKA payload	81
Table 26 – LKA Accept payload	81
Table 27 – EBP Request payload	87
Table 28 – EBP Accept payload	88
Table 29 – EBP Reject Reason Code Explanation	88
Table 30 – TCP/IP Segment structure carrying Encapsulated FC Frame	93
Table 31 – Encapsulated FC Frame structure	93
Table 32 – TCP/IP Segment structure carrying Encapsulated FSF	94
Table 33 – Encapsulated FSF structure	94
Table 34 – ASF Request Payload	97
Table 35 – ASF Accept Response Payload	98
Table A.1 – Byte-encoded frame delimiter format	105
Table A.2 – OS-Code Definition	105
Table A.3 – FC-BB-2 SOF Codes	106
Table A.4 – FC-BB-2 EOF Codes	106
Table B.1 – I.356 defined QoS Parameters for different Traffic Classes	111
Table B.2 – Service Categories and its Traffic and QoS Attributes	113
Table B.3 – ATM Service Categories and Guarantees	115

II INFORMATION TECHNOLOGY - FIBRE CHANNEL-

PART 241: Backbone 2 (FC-BB-2)

FOREWORD

- 1) ISO (International Organization for Standardization) and IEC (International Electrotechnical Commission) form the specialized system for worldwide standardization. National bodies that are members of ISO or IEC participate in the development of International Standards through technical committees established by the respective organization to deal with particular fields of technical activity. ISO and IEC technical committees collaborate in fields of mutual interest. Other international organizations, governmental and non-governmental, in liaison with ISO and IEC, also take part in the work.
- 2) In the field of information technology, ISO and IEC have established a joint technical committee, ISO/IEC JTC 1. Draft International Standards adopted by the joint technical committee are circulated to national bodies for voting. Publication as an International Standard requires approval by at least 75 % of the national bodies casting a vote.
- 3) All users should ensure that they have the latest edition of this publication.
- 4) No liability shall attach to IEC or ISO or its directors, employees, servants or agents including individual experts and members of their technical committees and IEC or ISO National Committees for any personal injury, property damage or other damage of any nature whatsoever, whether direct or indirect, or for costs (including legal fees) and expenses arising out of the publication of, use of, or reliance upon this ISO/IEC publication or any other IEC or IEC/ISO publications.
- 5) Attention is drawn to the normative references cited in this publication. Use of the referenced publications is indispensable for the correct application of this publication.
- 6) Attention is drawn to the possibility that some of the elements of this ISO/IEC Publication may be the subject of patent rights. ISO/IEC shall not be held responsible for identifying any or all such patent rights.

International Standard ISO/IEC 14165-241 was prepared by subcommittee 25: Interconnection of information technology equipment, of ISO/IEC joint technical committee 1: Information technology.

References in square brackets [n] are either in 2.1, 2.2 or the bibliography.

INTRODUCTION

International Standard ISO/IEC 14165-241 consists of three distinct Fibre Channel mappings as specified in Clause 1.

Figure 1 illustrates the major components of the FC-BB-2 specification and its relationship to IETF draft-ietf-ips-fcovertcpip-12 (FCIP) and the ATM Forum / ITU-T standards. Table 1 shows the organization of this document. FC-BB-2_IP, FC-BB-2_ATM and FC-BB-2_SONET do not interoperate in any way and are independent specifications.

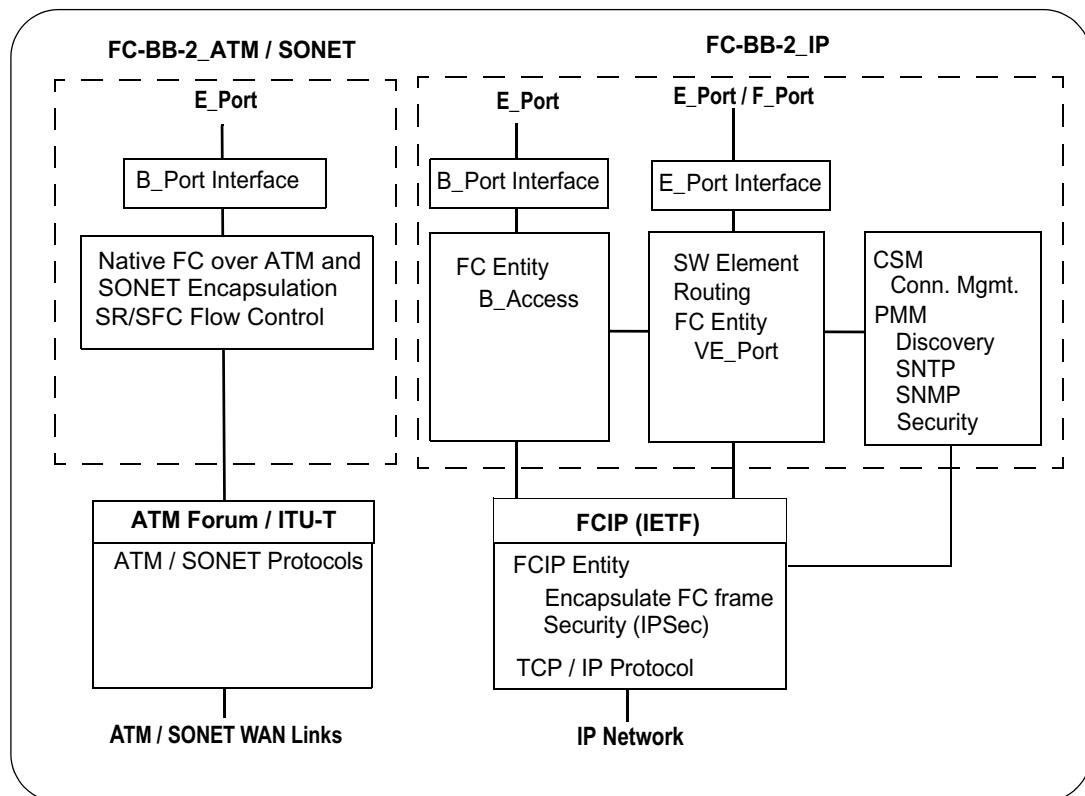


Figure 1 – Scope and components of FC-BB-2 specification

FC-BB-2 is divided into 16 clauses and 3 annexes as follows:

Clause 1 - Scope

Clause 2 - Normative references

Clause 3 - Definitions, abbreviations and conventions

Clause 4 - FC-BB-2 reference models and requirements

Clause 5 - Messages and formats for the ATM and SONET mappings

Clause 6 - Flow control protocols used in conjunction with ATM and SONET mappings

Clause 7 - FC-BB-2_ATM model structure

Clause 8 - Mapping and message encapsulation used with ATM mapping

Clause 9 - FC-BB-2_ATM service considerations

Clause 10 - FC-BB-2_SONET model structure

Clause 11 - Mapping and message encapsulation used with SONET mapping

Clause 12 - FC-BB-2_SONET service considerations

Clause 13 - FC-BB-2_IP model structure

Clause 14 - Mapping and message encapsulation used with TCP/IP mapping

Clause 15 - FC-BB-2_IP protocol procedures

Clause 16 - FC-BB-2_IP service considerations

Annex A (normative) - Encoded SOF and EOF ordered sets

Annex B (informative) - ATM traffic Management and signalling

Annex C (informative) - SR protocol parameter guidelines and state diagram

Table 1 – FC-BB-2 Organization

Specification Type	Applicable Clauses and Annexes
FC-BB-2_ATM, FC-BB-2_SONET, FC-BB-2_IP	1-4
FC-BB-2_ATM, FC-BB-2_SONET	5, 6
FC-BB-2_ATM	7, 8, 9 Annexes A, B, C
FC-BB-2_SONET	10, 11, 12 Annexes A, C
FC-BB-2_IP	13, 14, 15, 16 Annex A

INFORMATION TECHNOLOGY – FIBRE CHANNEL –

PART 241: Backbone 2 (FC-BB-2)

1 Scope

This part of ISO/IEC 14165 defines mappings for transporting Fibre Channel frames across ATM, SONET and TCP/IP backbone networks.

This part of ISO/IEC 14165 consists of three distinct Fibre Channel mappings resulting in the following three specifications:

- FC-BB-2_ATM (FC over ATM backbone network)
- FC-BB-2_SONET (FC over SONET backbone network)
- FC-BB-2_IP (FC over TCP/IP backbone network)

The backbone mappings support the attachment of fibre channel switches using the facilities of the underlying backbone network. Mappings of fibre channel to ATM and SONET are completely specified in this FC-BB-2 standard. With respect to TCP/IP, the FC-BB-2 and IETF Fibre Channel over TCP/IP specifications together describe how Fibre Channel frames are transported over a TCP/IP backbone. The FC-BB-2 standard describes the Fibre Channel characteristics associated with the encapsulation and transportation of Fibre Channel frames using Fibre Channel over TCP/IP. The IETF specifications provide details regarding the encapsulation and transportation of Fibre Channel frames over a TCP/IP backbone.

2 Normative references

The following referenced documents are indispensable for the application of this document. For dated references, only the edition cited applies. For undated references, the latest edition of the referenced document (including any amendments) applies.

2.1 Approved references

- [1] ISO/IEC 8802-2, *Information technology – Telecommunications and information exchange between systems – Local and metropolitan area networks – Specific requirements – Part 2: Logical link control*
- [2] ISO/IEC 14165-131, *Information technology – Fibre Channel – Part 131: Switch Fabric requirements (FC-SW-3)*
- [3] ISO/IEC 14165-241, *Information technology – Fibre Channel – Part 241: Backbone 2 (FC-BB-2) [the present publication]*
- [4] ISO/IEC 14165-251, *Information technology – Fibre Channel – Part 251: Framing and Signaling (FC-FS)*
- [5] ITU-T Recommendation X.25-1997, *Interface between Data Terminal Equipment (DTE) and Data Circuit-Terminating equipment (DCE) for terminals operating in the packet mode and connected to public data networks by dedicated circuit, X.25-1997*

2.2 Other references

For information on the current status of the listed documents, or regarding availability, contact the relevant organization.

- [6] T11/Project 1570D/Rev. x.x, *Information Technology - Fibre Channel - Security Protocol (FC-SP)*
- [7] IETF draft-ietf-ips-fcovertcpip-12.txt, *Fibre Channel Over TCP/IP (FCIP)*, August 2002
- [8] IETF draft-ietf-ips-fcip-slp-04.txt, *Finding FCIP Entities Using SLP*, September 2002
- [9] IETF draft-ietf-ips-fcencapsulation-08.txt, *FC frame Encapsulation*, May 2002
- [10] IETF RFC 1619, *PPP over SONET/SDH*, May 1994.
- [11] IETF RFC 1662, *PPP in HDLC-like Framing*, July 1994.
- [12] IETF RFC 2030, *Simple Network Time Protocol (SNTP) Version 4 for IPv4, IPv6 and OSI*, October 1996